



# BEVERAGE-AIR

Project: \_\_\_\_\_

AIA#

Item: \_\_\_\_\_

Location: \_\_\_\_\_

SIS#

Approved: \_\_\_\_\_

## UCFD UNDERCOUNTER FREEZER

### UCFD48AHC Door & Drawer Combination

### Hydrocarbon Series

**MODELS:**  
**UCFD48AHC-2**



**UCFD48AHC-2**

**3 Year Parts/Labor Warranty**  
**Additional 2 Year Compressor Warranty**

### CABINET CONSTRUCTION

- Stainless steel front, sides, top, door and drawers, (*galvanized back & bottom*)
- Interior liner is made of corrosion resistant aluminum
- Full electronic control
- Interior thermometer is standard
- Durable sub-top 1/2" insulated for added durability
- Self-closing door with 120° Stay-open feature, on cartridge style hinges
- Easy door removal for service and cleaning
- Magnetic gaskets attached to each door/drawer for positive seal
- Painted aluminum handles
- 6" Casters, two (2) with brakes standard
- Two epoxy-coated steel wire shelves standard
- Stainless steel drawer frames supported on telescoping drawer slides
- Drawer slides include locking mechanism that prevents drawer from being inadvertently pulled off cabinet
- Upper and Lower pull out drawers accommodate 6" deep pans

### OPTIONS & ACCESSORIES

- Stainless steel back and grille
- Stainless steel interior
- Right or left hinged door
- Locks (solid doors only)
- Bun rack
- Wire shelf divider
- 3" Casters or 6" legs
- Low profile casters
- Remote option

### REFRIGERATION SYSTEM

- Refrigeration system uses R290 refrigerant to comply with all environmental concerns
- Automatic, electric defrost
- Epoxy coated evaporator coil

UCFD48AHC-2 Undercounter Freezer: Food Prep Series



3779 Champion Blvd., Winston-Salem, NC 27105  
1-888-845-9800 Fax: 1-336-245-6453  
Beverage-Air.com sales@bevair.com



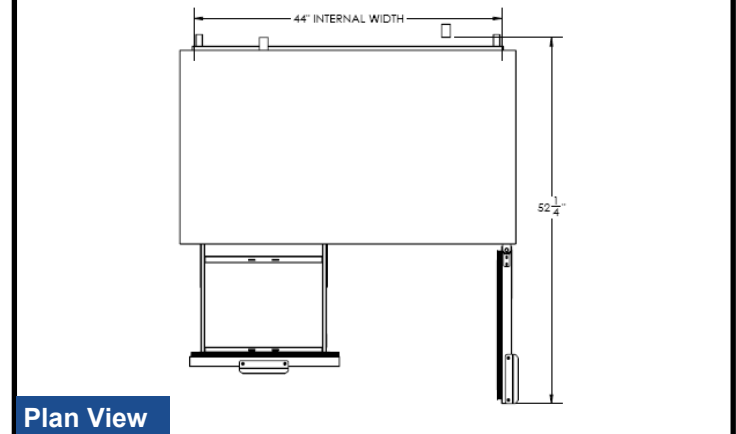
# BEVERAGE-AIR

## Undercounter Freezer Door & Drawer Combination

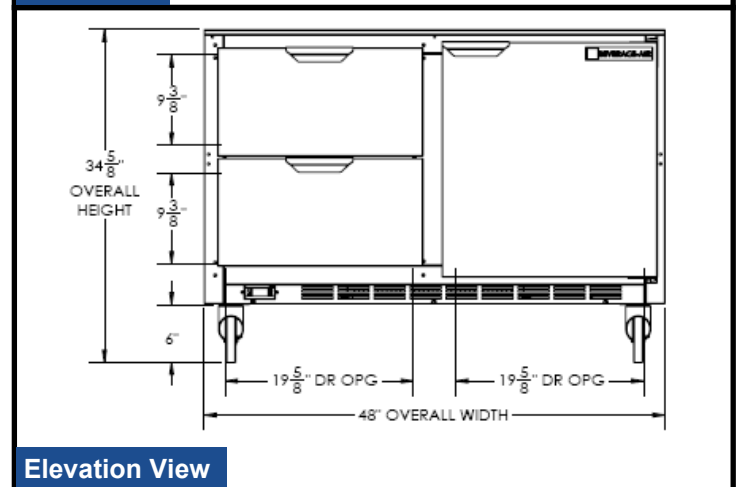
Models: UCFD48AHC-2

MODEL	UCFD48AHC-2
<b>EXTERNAL DIMENSIONAL DATA</b>	
Width Overall	48"
Depth Overall	32"
Height Overall with 6" Casters	34 5/8"
Number of Doors	1
Depth with Door Open 90°	52 1/4"
Door Opening (in)	19 5/8" x 21 1/2"
Number of Drawers	2
Drawers Opening (in)	Upper 19 5/8" X 9 3/8" Lower 19 5/8" x 9 3/8"
<b>INTERNAL DIMENSIONAL DATA</b>	
NET Capacity (cubic ft.)	11.04
Internal Width Overall (in)	44"
Internal Depth Overall (in)	23 1/2"
Internal Depth Useable (in)	Upper 18 1/2" Lower 15 3/8"
Internal Height Front (in)	23"
Internal Height Rear (in)	16"
Number of Shelves	2
<b>ELECTRICAL DATA</b>	
Full Load Amperes 115/60/1	7.0
<b>REFRIGERATION DATA</b>	
Horsepower	1/2
Capacity (BTU/Hr)*	1865
<b>WEIGHT DATA</b>	
Gross Weight (Crated lbs)	306 lbs
Height - Crated	35"
Width - Crated	51"
Depth - Crated	33"

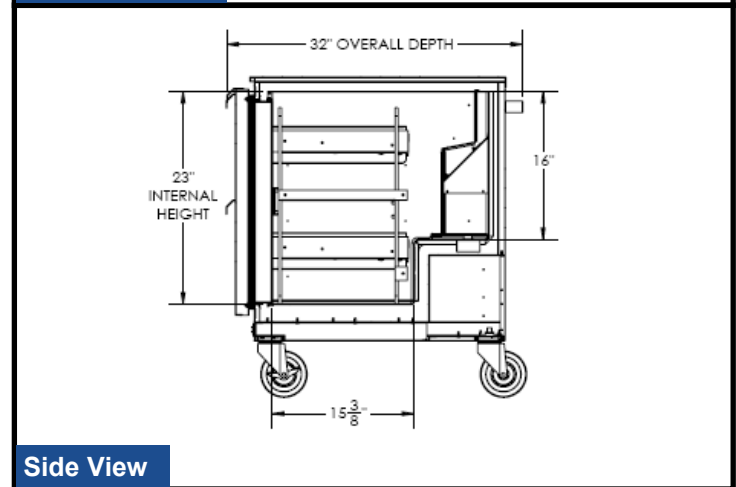
### Model Views



Plan View



Elevation View



Side View

### ELECTRICAL CONNECTION



115/60/1  
NEMA-5-15P

Units pre-wired at factory and include 8' long cord and plug set.



an Ali Group Company



The Spirit of Excellence

3779 Champion Blvd., Winston-Salem, NC 27105  
1-888-845-9800 Fax: 1-336-245-6453  
Beverage-Air.com sales@bevair.com